
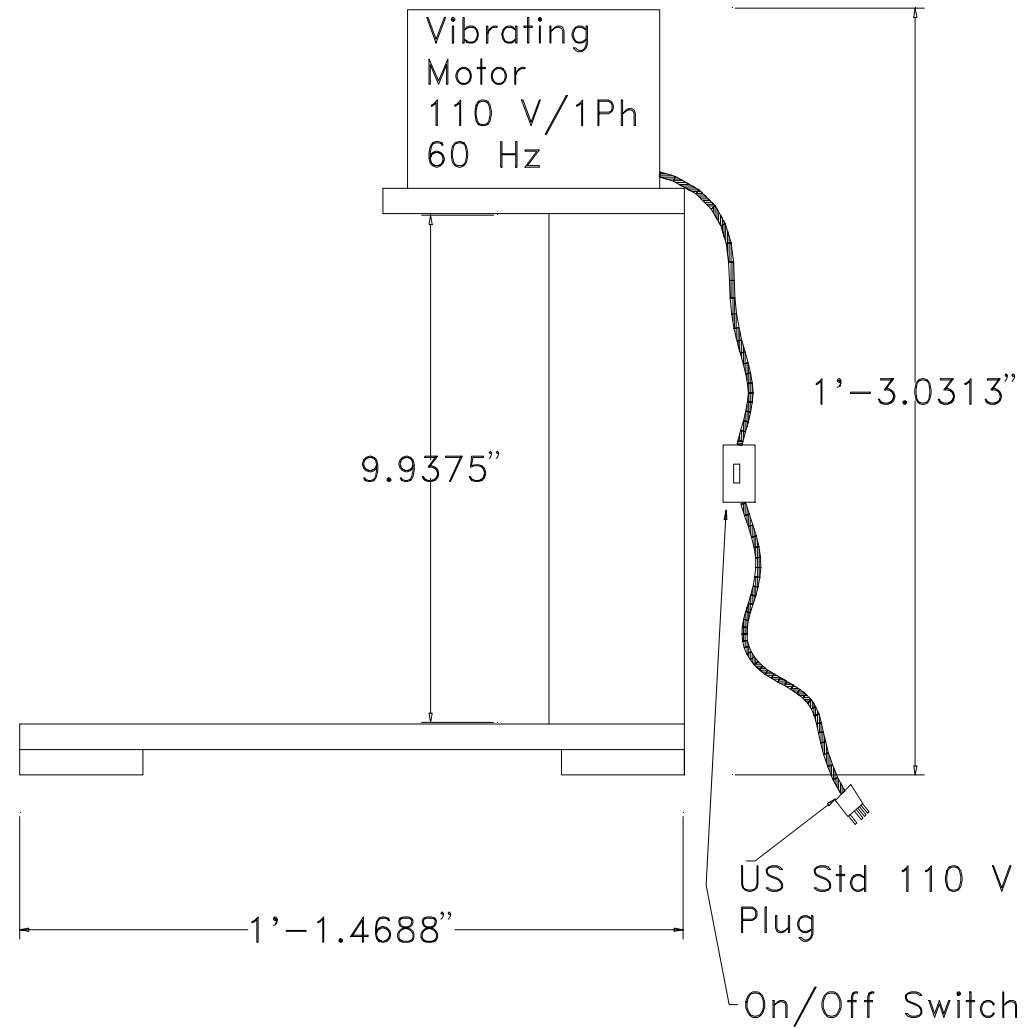
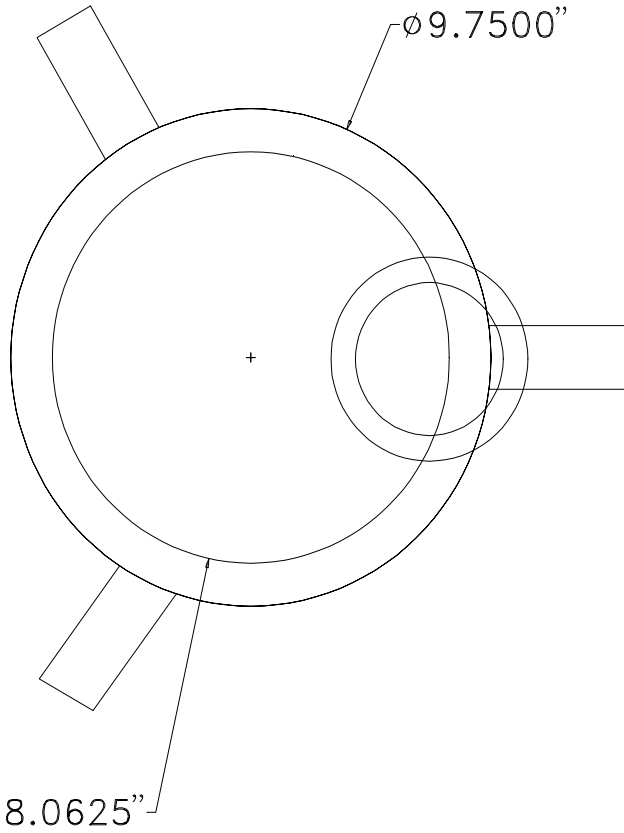



TITLE	SEPOR WET/DRY SIEVE SHAKER	
PROJECT	NA	DATE 3/92
SCALE	DRAWN BY PT	
	SEPOR, INC. 718 N FRIES AVE. WILMINGTON, CA 90748	Phone: (310)830-6601 Fax: (310)830-9336



TITLE		SEPOR WET/DRY SIEVE SHAKER	
PROJECT	NA	DATE	3/92
SCALE		DRAWN BY	PT
 SEPOR, INC. 718 N FRIES AVE. WILMINGTON, CA 90748		Phone: (310)830-6601	Fax: (310)830-9336

