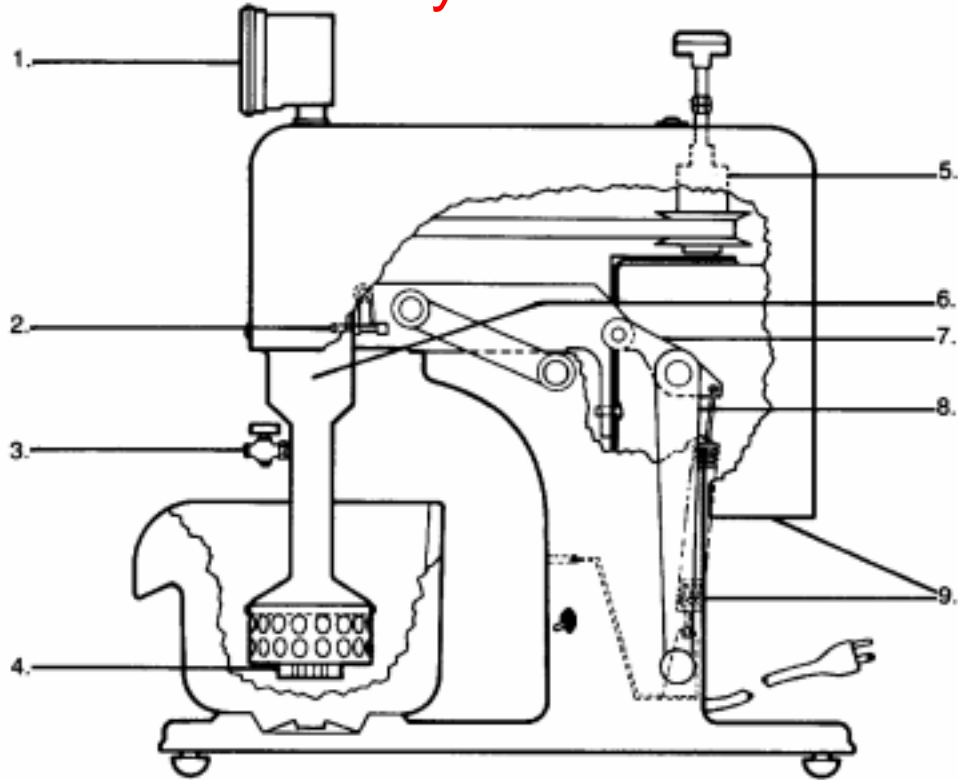


Wemco Laboratory Flotation Machine



FEATURES:

- 1. Tachometer.** The machine is equipped with a direct reading tachometer for an invariably accurate indication of rotor speed.
- 2. Locking pin.** A shaft locking pin is provided for easy change of shaft mounted impellers.
- 3. Air inlet valve.** (1 + 1 shown below). The inlet valve controls air entering the standpipe. Gas other than air can be introduced to the bowl through rubber tubing attached to the inlet.
- 4. Aeration mechanisms.** (1 + 1 shown). Precision adjustment of the ribbed disperser with respect to the rotor is easily accomplished with a simple disperser adjusting nut.
- 5. Variable speed drive.** Rotor speed is adjustable from 650 - 1900 RPM, allowing a wider variety of tests to be run.
- 6. Improved bearings, lifetime lubrication.** New oversize ball bearings are used to carry the rotor shaft, enabling extended high-speed operation without heating. Rotor shaft bearings are packed with grease and sealed at the factory and need no further lubrication for the life of the unit.
- 7. Pantolift action.** The Pantolift movement permits ready access to all working parts, facilitating removal of the bowl and/or changeover from flotation to the attrition or conditioning modes.
- 8. Tilting handle.** The counter-balanced, spring assisted tilting mechanism is actuated by a fingertip controlled tilting handle. The mechanism is stable in either the up or the down position.
- 9. Light weight.** The complete flotation unit weight less than 100 pounds, because major castings are aluminum and the cover is fiberglass. Its low center of gravity and dynamic balance prevent any tendency to tip or walk.

Included with Agitair Flotation Machine: Basic drive unit, 500 gram flotation assembly, air chamber and lower shaft assembly.

Options for Agitair: **1,000 Gram Flotation Assembly: 050D-013**

2,000 Gram Flotation Assembly: 050D-014

Included with 1 + 1 Flotation Machine: Basic drive unit, 600 gram flotation assembly, standpipe assembly.

Options for 1 + 1 : **5.5 Liter Cell With Auto Skimmer: 050D-020**

Options for both 1 + 1 and Agitair:

Agitation Assembly Kit: 050D-100

Attrition Assembly Kit: 050D-110