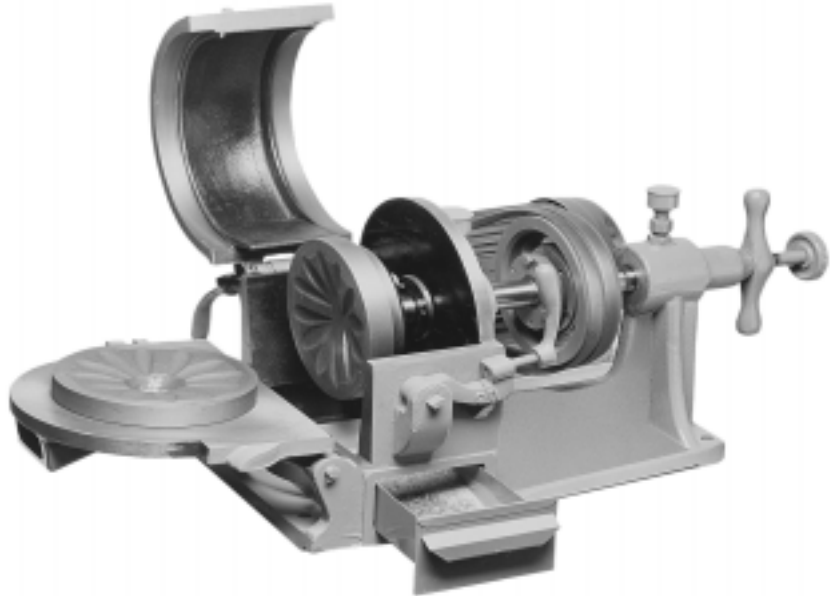




UA Pulverizer V-Belt Drive

SEPOR, INC.
718 N. FRIES AVE.
P. O. BOX 578
WILMINGTON, CA 90748
PHONE: 310-830-6601
FAX: 310-830-9336

- * Rugged Construction
- * Motor equipped with adjustable mounting blocks.
- * Offers efficiency, simplicity of operation and maintenance.
- * Will reduce samples of 1/4" or smaller to 150-200 mesh, depending upon material.
- * Adjusting screw with lock lever to hold permanent setting of plates.



The UA Disc Plate Pulverizers will efficiently reduce 1/4" material to -150 mesh at rates ranging from 50 to 200 lbs./hour. The UA Pulverizer is v-belt driven and operates at 900 RPM's. They are furnished with a set of standard iron alloy grinding plates (255 Brinell Hardness) and in a variety of motor configurations to meet most demanding laboratory applications. Other grinding plates are available in materials such as Low Phosphorous Carbon Steel, Manganese Steel, Chrome Alloy and Alumina Ceramic. Thermal relays are supplied for 220 volt operation unless otherwise specified. A safety guard is supplied.

UD PULVERIZER WITH
OPTIONAL POWER
DOOR OPENER KIT



CATALOG NUMBER	DESCRIPTION	CAPACITY (LBS./HR.)	DIMENSIONS (INCHES)	SHIP WEIGHT (POUNDS)
010F-002	UA, 2 HP, 220-440 V/ 3 PH/50-60HZ	50 - 100	38 X 33 X 16(H)	415
010F-003	UA, 3 HP, 220-440 V/ 3 PH/50-60 HZ	50 - 100	38 X 33 X 16(H)	430