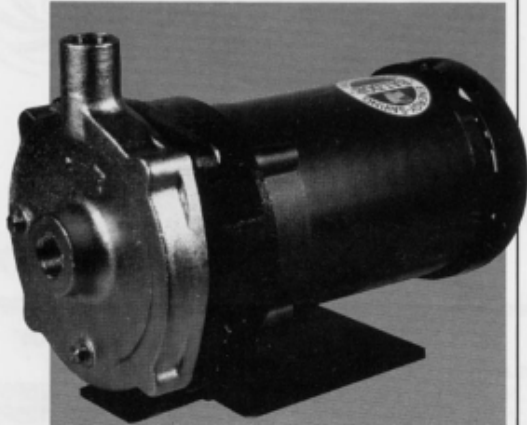


Flow To 18 GPM  
Head To 160 ft.



# Type HP

## CENTRIFUGAL MOTOR PUMPS

Flows to 18 GPM  
Heads to 160 Feet

### MATERIALS

Bronze (HP75BN)  
Kanigen Plated (HP75KN)  
CPVC (HP75CN)

### APPLICATIONS

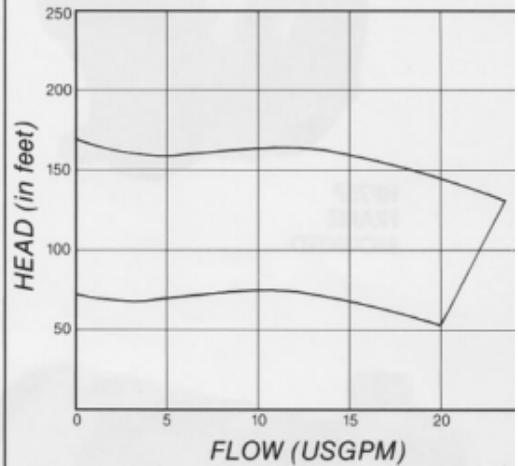
- INDUSTRY — Circulating chilled water, booster pumps, sprinkler pumps, deionized water.
- O.E.M. — Booster pumps, chiller pumps for various uses, air conditioning, Laser coolers.

### FEATURES

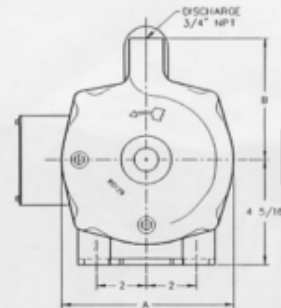
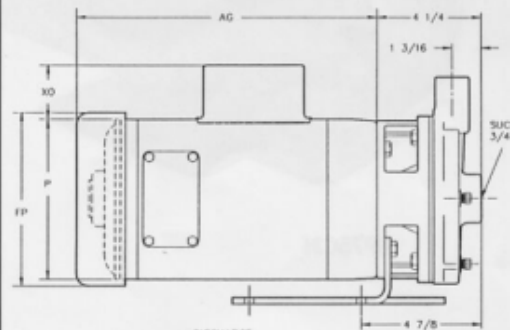
- SIZE: 3/4" x 3/4" x 6"
- Compact close coupled design.
- MOTORS:  
56J Threaded shaft motors.  
1/3HP - 2HP, 3600 RPM, single phase or three phase, drip proof or TEFC.
- Bronze volute, Kanigen plated volute or molded CPVC volute.
- Molded CPVC impeller on all models.
- Mechanical seal: 5/8" Type 6 Buna, Carbon vs. Ceramic standard.
- T.21 and T.36 Diplo (non-metallic) seals optional.
- End bell gasket isolates cast iron motor bracket from liquid flow.

### ALSO AVAILABLE

- FRAME MOUNTED



Curve for reference only. See engineering curves for final select



MATERIAL	PART #	A	B
BRONZE	0220	6 15/16	5 1/16
KANIGEN	0229KP	6 15/16	5 1/16
CPVC	8005	7 9/16	4 11/16

**DISCHARGE**      **SUCTION**  
HP75                  3/4" NPT              3/4" NPT

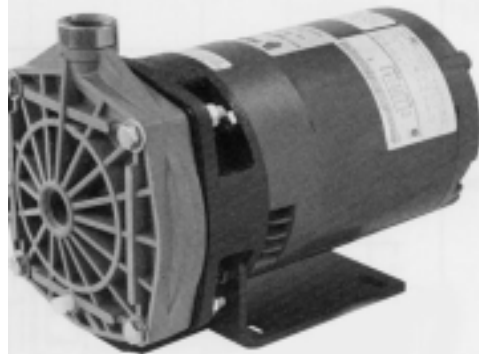
**NOTE:** Motor dimensions will vary by motor and make. Dimensions are to be used for reference

Flow To 18 GPM  
Head To 160 ft.

ALSO  
AVAILABLE:



HP75P  
FRAME  
MOUNTED



HP75CN



HP75KN

# Type HP

## TECHNICAL INFORMATION

CATEGORY	HP75BN	HP75KN	HP75CN
Minimum Recommended Flow	½ GPM	½ GPM	½ GPM
Maximum Solid Size	.03"	.03"	.03"
Maximum Working Pressure*			
T.6 (std), T.36 (opt)	75PSI	75PSI	75PSI
T.21 (opt)	150PSI	150PSI	125PSI
Maximum Temperature*	140°F	140°F	140°F

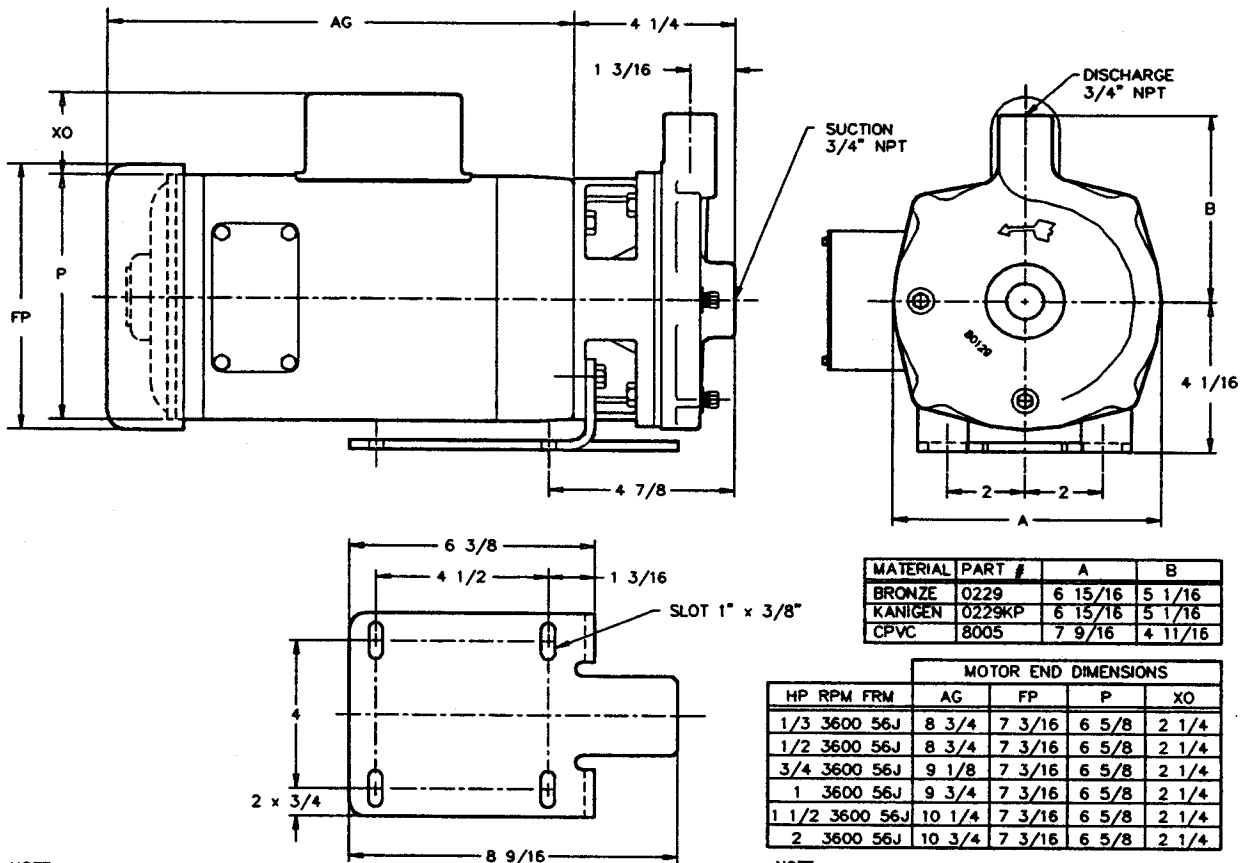
\*With Standard Seal & Gasket—Temperature limit will also vary according to liquid pumped.  
Contact Factory for Higher Pressure/Temperature options.

## MATERIALS OF CONSTRUCTION

Volute	Bronze 85-5-5-5	Kanigen Plated Bronze	CPVC
Impeller	CPVC	CPVC	CPVC
Bracket	Gray Cast Iron Class 30	Gray Cast Iron Class 30	Gray Cast Iron Class 30
Fasteners	18-8SS	18-8SS	18-8SS
Gasket	EPR	EPR	EPR

# HP OUTLINE DRAWING

Effective: January 1, 1993



MATERIAL	PART #	A	B
BRONZE	0229	6 15/16	5 1/16
KANIGEN	0229KP	6 15/16	5 1/16
CPVC	8005	7 9/16	4 11/16

MOTOR END DIMENSIONS						
HP	RPM	FRM	AG	FP	P	XO
1/3	3600	56J	8 3/4	7 3/16	6 5/8	2 1/4
1/2	3600	56J	8 3/4	7 3/16	6 5/8	2 1/4
3/4	3600	56J	9 1/8	7 3/16	6 5/8	2 1/4
1	3600	56J	9 3/4	7 3/16	6 5/8	2 1/4
1 1/2	3600	56J	10 1/4	7 3/16	6 5/8	2 1/4
2	3600	56J	10 3/4	7 3/16	6 5/8	2 1/4

NOTE:  
ALL DIMENSIONS ARE ROUNDED TO THE NEAREST SIXTEENTH OF AN INCH.

NOTE:  
MOTOR DIMENSIONS WILL VARY BY MODEL AND MAKE. DIMENSIONS ARE TO BE USED FOR REFERENCE ONLY.

*Sapor*

CURVE NUMBER: 8800001    MODEL: HP75    SIZE: 3/4x3/4x6    RPM: 3500  
IMPELLER DIA: VARIOUS    MIN. IMPELLER DIA: 4.00" MAX. IMPELLER DIA: 6.00" MAX. SOLIDS: .03"  
CUSTOMER: \_\_\_\_\_    CUSTOMER'S P.O. \_\_\_\_\_  
REMARKS: \_\_\_\_\_

