



PRODUCT BULLETIN

SEPOR, INC.
718 N. FRIES AVE.
P. O. BOX 578
WILMINGTON, CA 90748
PHONE: 310-830-6601
FAX: 310-830-9336

Web Site: <http://www.sepor.com>

Rotary Vane Model 2067 Vacuum Pumps

MODEL 2067 ROTARY VANE VACUUM PUMP, LUBRICATED HAS THE FOLLOWING CAPACITY:

**28" HG MAX. VAC.,
17 CFM OPEN FLOW
15 PSI MAX. PRESSURE**

OILLESS VERSION:

**27" HG MAX. VAC.,
17 CFM OPEN FLOW
15 PSI MAX. PRESSURE**

PRODUCT FEATURES

- Close coupled/easy motor mounting
- Rugged construction/low maintenance
- Essentially pulse-free service

INCLUDES

- Fan guards AC102C, AH194A
- Fan/coupling assembly AH198
- Filter AA900D (Vacuum Pump) – Lubricated
- Filter AC435 (Compressor) – Lubricated
- Muffler AA900E (Vacuum Pump) – Lubricated
- Filter AA905G (Compressor) – Oilless
- Muffler AA900F (Vacuum Pump) – Oilless
- Oil reservoir AA960-1
- Vac lubricator V40C
- Pressure lubricator AA95A
- Pressure gauge AA644B (U.S.) – Lubricated

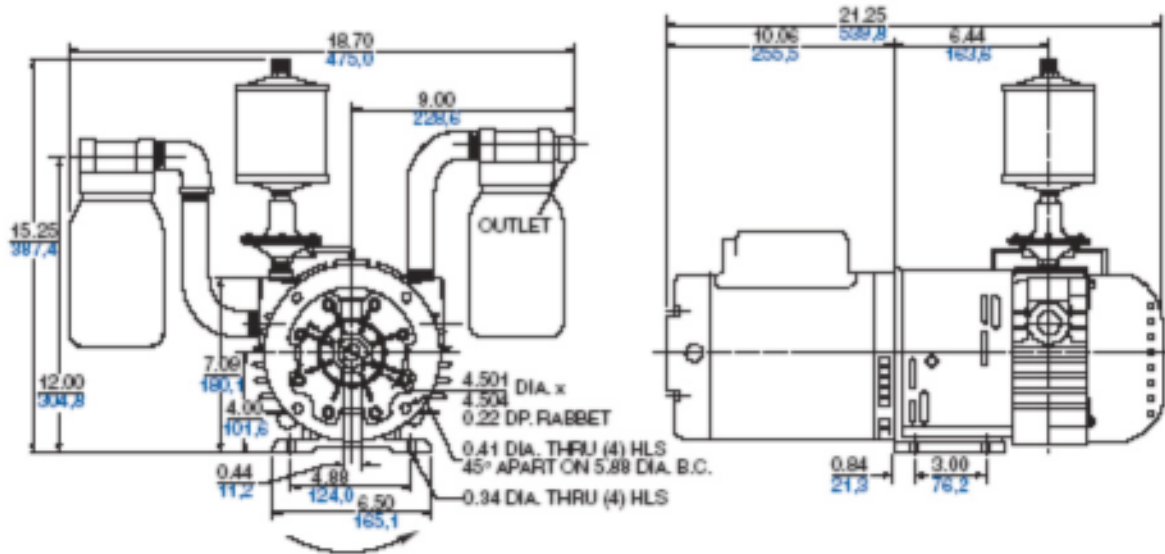


**Lubricated
Vacuum Pump**

RECOMMENDED ACCESSORIES

- Vacuum relief valve AA308 (U.S. Models)
- Vacuum gauge AA640 (U.S. Models)
- Pressure relief valve AA307 (U.S. Models)
- Pressure gauge AA644B – Oilless
- Oil AD220
- Repair kit K349 – Lubricated
- Repair kit K350 – Oilless

VACUUM PUMP (U.S. MODELS)
NEMA 56 FRAME, C FACE, INLET 3/4 IN. NPT



Model LUBRICATED	Motor	RPM			Net Wt.		
		60 Hz	50 Hz	HP	kW	lbs.	kg
2067-P2	Not included	1725	1425	1-1/2	1,1	46	20,7
2067-V1	Not included	1725	1425	1-1/2	1,1	55	24,8
2567-P2	Not included	1725	1425	2	1,5	48	21,6
2567-V1	Not included	1725	1425	1-1/2	1,1	51	23,0
2567-V3	Not included	1725	1425	1-1/2	1,1	51	23,0
2567-V5-G471	230/460-60-3	1725	—	1-1/2	1,1	93	41,9
2567-V3-CC110-1	220/-380/415	—	1425	1-1/2	1,1	93	41,9
OILLESS							
2067-P102	Not included	1725	1425	1 1/2	1,1	47	21,2
2067-V103	Not included	1725	1425	1 1/2	1,1	55	24,8
2067-V105	Not included	1725	1425	1 1/2	1,1	55	24,8
2067-V107-G561X	110/220-240; 115/208-230	1725	1425	1	0,75	84	37,8